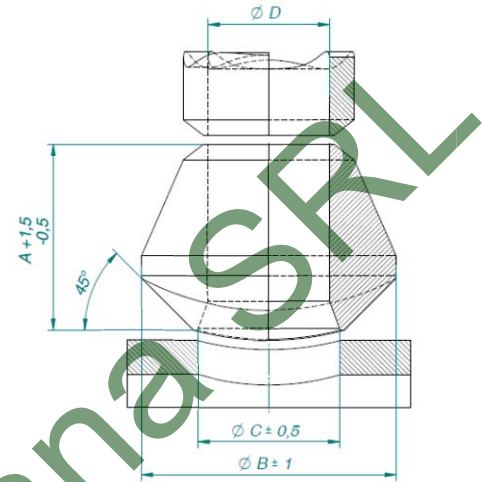


Standard weight (reduced o'let)

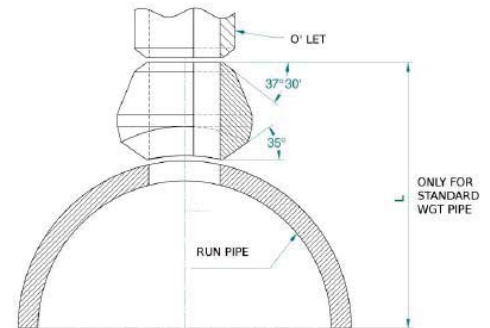
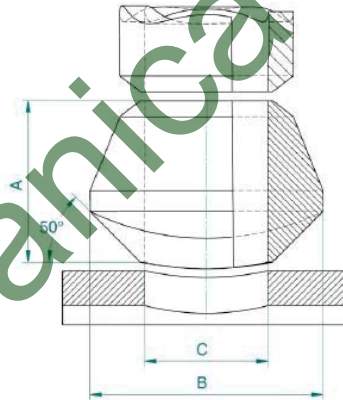
Nominal inch	A	B	C	Weight Kg
1/8"	14.3	25.4	15.9	0.04
1/4"	14.3	25.4	15.9	0.04
3/8"	19.05	31.75	19.05	0.07
1/2"	19.05	34.93	23.81	0.08
3/4"	22.23	44.45	30.16	0.11
1"	26.99	53.98	36.51	0.23
1.1/4"	31.75	65.09	44.45	0.36
1.1/2"	33.34	73.03	50.8	0.45
2"	38.1	88.9	65.09	0.79
2.1/2"	41.28	103.19	76.2	1.13
3"	44.45	122.24	93.66	1.81
3.1/2"	47.63	142.88	112.71	2.50
4"	50.8	152.4	120.65	2.86
5"	57.15	179.39	141.29	4.65
6"	60.33	215.9	169.86	6.44
8"	69.85	263.53	220.66	10.66
10"	77.79	322.26	274.64	17.69
12"	85.73	377.83	325.44	26.76
14"	88.9	409.58	357.19	29.94
16"	93.66	463.55	407.99	34.02
18"	96.84	520.7	458.79	44
20"	101.6	571.5	508	53.52
24"	144.5	717.5	609.6	101
26"	155.6	778	660.4	120
30"	174.6	893.6	762	190
36"	206.4	1070	914.4	310
40"	225.4	1187.6	1016	435
42"	235	1244.6	1066.8	540
48"	241.3	1404	1219.2	750

Extra strong (reduced o'let)

Nominal inch	A	B	C	Weight Kg
1/8"	14.30	25.4	15.88	0.05
1/4"	14.30	25.4	15.88	0.05
3/8"	19.05	31.75	19.05	0.07
1/2"	19.05	34.93	23.81	0.09
3/4"	22.23	44.45	30.16	0.14
1"	26.99	53.98	36.51	0.21
1.1/4"	31.75	65.09	44.45	0.41
1.1/2"	33.34	73.03	50.8	0.50
2"	38.1	88.9	65.09	0.79
2.1/2"	41.28	103.19	76.2	1.18
3"	44.45	122.24	93.66	1.86
3.1/2"	47.63	136.53	112.71	2.54
4"	50.8	152.4	120.65	2.90
5"	57.15	179.39	141.29	4.72
6"	77.79	225.43	169.86	10.43
8"	98.43	292.1	220.66	16.78
10"	93.66	323.85	265.11	20.87
12"	103.19	379.41	317.5	27.67
14"	100.01	431.8	350.84	31.75
16"	106.36	466.76	403.23	46.27
18"	111.13	523.88	455.61	58.97
20"	119.06	582.61	509.59	71.67
24"	152.4	722.2	609.6	142
26"	165.1	782.6	660.4	168
30"	181	896.8	762	218
36"	212.7	1074.4	914.4	404
40"	235	1194	1016	582
42"	244.5	1250.8	1066.8	590
48"	273	1425.6	1219.2	910


Double extra strong (reduced o'let)

Nominal inch	A	B	C	Weight Kg
1/2"	28.58	34.93	14.29	0.11
3/4"	31.75	44.45	19.05	0.32
1"	38.1	50.8	25.4	0.38
1.1/4"	44.45	61.91	33.34	0.57
1.1/2"	50.8	69.85	38.1	0.79
2"	55.56	80.96	42.86	0.97
2.1/2"	61.91	96.84	53.98	1.53
3"	73.03	120.65	73.03	2.87
4"	84.14	152.4	98.43	4.76
5"	93.66	187.33	122.24	6.46
6"	104.78	220.66	146.05	12.70
8"	111.12	284.16	173.04	20.41
10"	125.41	312.74	215.9	38.56


Notes:

- 1) All dimensions are in mm.
- 2) All weights are estimated.

