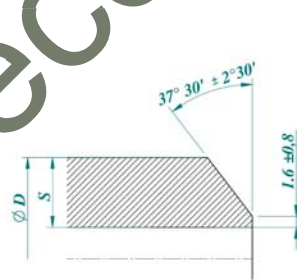
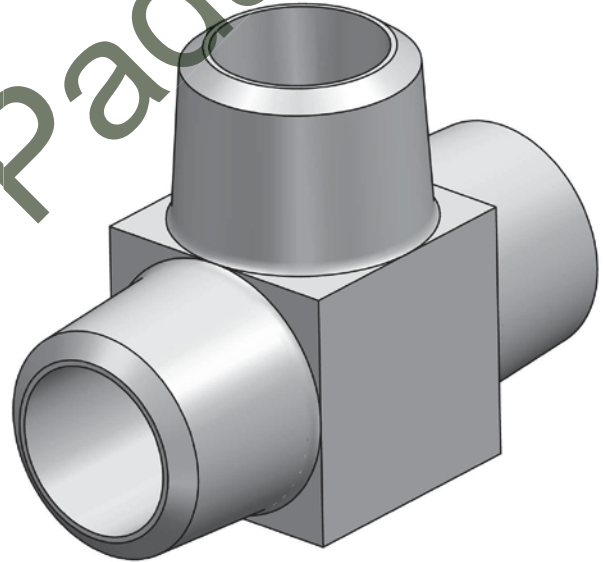
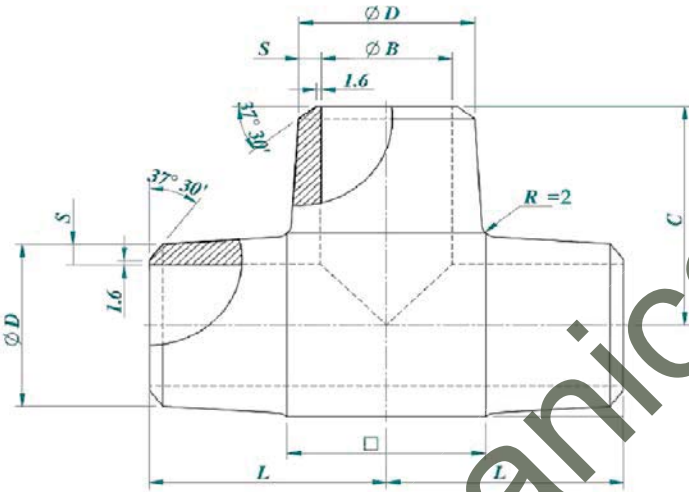


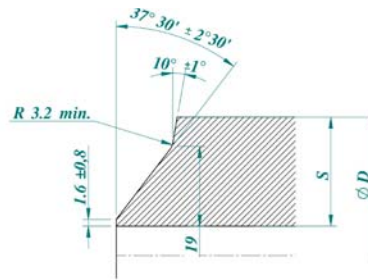
Equal tees

Nominal pipe inches	Outside diam.	Wall thickness				Length Center to end	Unitary weight				□	C+(□/2)	L*2
		STD	XS	160	XXS		STD	XS	160	XXS			
	D	S	S	S	S	L-C							
1/2"	21.34	2.77	3.73	4.75	7.45	25.4	0.15	0.2	0.27	0.28	23.34	37.07	50.8
3/4"	26.67	2.87	3.91	5.54	7.82	28.57	0.2	0.27	0.28	0.29	28.67	42.905	57.14
1"	33.4	3.38	4.55	6.35	9.09	38.1	0.29	0.35	0.45	0.58	35.4	55.8	76.2
1.1/4"	42.16	3.56	4.85	6.35	9.7	47.62	0.53	0.65	0.77	1.05	46.16	70.7	95.24
1.1/2"	48.26	3.68	5.08	7.14	10.2	57.15	0.77	0.96	1.21	1.56	52.26	83.28	114.3
2"	60.3	3.91	5.54	8.71	11.1	63.5	1.34	1.9	2.25	2.69	64.3	95.65	127
2.1/2"	73.02	5.16	7.01	9.52	14	76.2	2.69	3.07	3.42	4.54	77.02	114.71	152.4
3"	88.9	5.49	7.62	11.1	15.2	85.72	3.82	4.5	6.21	7.63	92.9	132.17	171.4
3.1/2"	101.6	5.74	8.08	12.2	16.15	95.25	5.18	6.17	7.8	9.62	105.6	148.05	190.5
4"	114.3	6.02	8.56	13.5	17.1	104.77	6	8.44	14.43	15.53	118.3	166.92	215.5
5"	141.3	6.55	9.52	15.9	19	123.82	9.94	12.94	21.8	23.93	145.3	196.47	247.6
6"	163.3	7.11	11	18.2	21.9	142.87	16.48	19.3	36.3	38.59	167.3	226.52	285.7
8"	219.2	8.18	12.7	23	22.2	177.8	27.69	34.5	73	69	224.2	289.9	355.6
10"	273	9.27	12.7	28.6	-	215.9	41.31	58.57	126	-	278	354.9	431.8
12"	323.8	9.52	12.7	33.3	-	254	66.73	84.9	193.0	-	328.8	418.4	508
14"	355.6	9.52	12.7	35.7	-	279.4	102.6	127.12	216.3	-	360.6	459.7	558.8
16"	406.4	9.52	12.7	40.5	-	304.8	109.9	167.5	267.4	-	411.4	510.5	609.6
18"	457.2	9.52	12.7	45.2	-	342.9	151.1	192.9	410.3	-	462.2	574	685.8
20"	508	9.52	12.7	50	-	381	228.8	264.6	654.6	-	513	637.5	762
22"	558.8	9.52	12.7	54	-	419	252	368	735.4	-	563	700.5	838
24"	609.6	9.52	12.7	59.5	-	431.8	347.3	424	895.7	-	614.6	739.1	863.6



Particolari di smusso per raccordi con spessore fino a 19,5mm compreso

Particular of beveling for fittings with thickness up to 19,5mm included



Particolari di smusso per raccordi con spessore superiore a 19,5mm

Particular of beveling for fittings with thickness superior to 19,5mm

**TOLLERANZE DIMENSIONALI
ASA B16.9**

**DIMENSIONAL TOLERANCES
TO ASA B16.9**

Notes:

- 1) All dimensions are in m/m.
- 2) Materials in conformity with ASTM. Dimensional tolerances as per Asa 16.9.
- 3) Schedule S and B at customer's discretion: must be specified in the orders.
- 4) All weights are estimated.