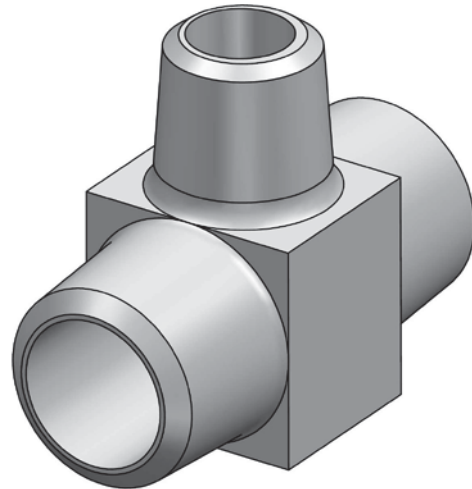
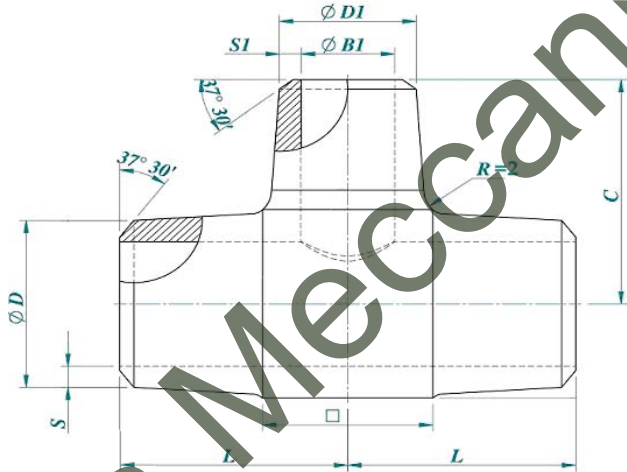




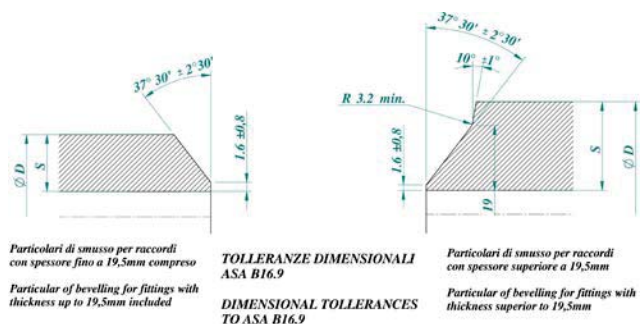
Reducing Tees

Nominal pipe inches	Outside diameter run	Outside diameter branch	Wall thickness								Length Center to end run	Width Center to end branch	Unitary weight			
			STD		XS		SCH 160		XXS				STD	XS	SCH	XXS
			S	S1	S	S1	S	S1	S	S1						
	D	D1	S	S1	S	S1	S	S1	S	S1	L	C				
1/2X1.1/2X1/4	21,34	13,72	2,77	2,24	3,73	3,02	-	-	-	-	25,40	25,40	0,12	0,14	-	-
3/4X3/4X1/2	26,67	21,34	2,87	2,77	3,91	3,73	5,54	4,75	7,82	7,45	28,57	28,57	0,22	0,25	0,30	0,40
1X1X1/2	33,40	21,34	3,38	2,77	4,55	3,73	6,35	4,75	9,09	7,45	38,10	38,10	0,45	0,68	0,73	0,88
1X1X3/4		26,67		2,87		3,91		5,54		7,82		38,10				
1.1/4X1.1/4X1/2	42,16	21,34	3,56	2,77	4,85	3,73	6,35	4,75	9,70	7,45	47,62	47,62	0,70	0,82	0,84	0,91
1.1/4X1.1/4X3/4		26,67		2,78		3,91		5,54		7,82		47,62				
1.1/4X1.1/4X1	48,26	33,40	3,68	3,33	5,08	4,55	7,14	6,35	10,2	9,09	57,15	57,15	0,95	1,13	1,34	1,49
1.1/2X1.1/2X1/2		21,34		2,77		3,73		4,75		7,45		57,15				
1.1/2X1.1/2X3/4	48,26	26,67	3,68	2,87	5,08	3,91	7,14	5,54	10,2	7,82	57,15	57,15	0,91	1,13	1,36	1,51
1.1/2X1.1/2X1		33,40		3,38		4,55		6,35		9,09		57,15				
1.1/2X1.1/2X1.1/4	60,30	42,16	3,91	3,56	5,54	4,85	8,71	6,35	11,1	9,70	63,50	63,50	1,26	1,58	2,81	3,05
2X2X3/4		26,67		2,87		3,91		5,54		7,82		63,50				
2X2X1	60,30	33,40	3,91	3,38	5,54	4,55	8,71	6,35	11,1	9,09	63,50	63,50	1,17	1,54	2,63	2,94
2X2X1.1/4		42,16		3,56		4,85		6,35		9,70		63,50				
2X2X1.1/2	73,02	48,26	5,16	3,68	7,01	5,03	9,52	7,14	14,0	10,20	76,20	76,20	2,00	2,44	3,68	4,72
2.1/2X2.1/2X1		33,40		3,33		4,55		6,35		9,09		76,20				
2.1/2X2.1/2X1.1/4	73,02	42,16	5,16	3,56	7,01	4,85	9,52	6,35	14,0	9,70	76,20	76,20	2,25	2,55	3,92	4,91
2.1/2X2.1/2X1.1/2		48,26		3,68		5,03		7,14		10,20		76,20				
2.1/2X2.1/2X2	88,90	60,30	5,49	3,91	7,62	5,54	11,1	8,71	15,2	11,10	85,72	85,72	2,35	2,62	4,09	5,12
3X3X1		33,40		3,38		4,55		6,35		9,09		85,72				
3X3X1.1/4	88,90	42,16	5,49	3,56	7,62	4,85	11,1	6,35	15,2	9,70	85,72	85,72	2,89	3,40	6,32	7,74
3X3X1.1/2		48,26		3,68		5,03		7,14		10,20		85,72				
3X3X2	88,90	60,30	5,49	3,91	7,62	5,54	11,1	8,71	15,2	11,10	85,72	85,72	3,01	3,62	6,63	7,99
3X3X2.1/2		73,02		3,91		5,54		8,71		11,10		85,72				
3.1/2X3.1/2X1.1/2	101,60	48,26	5,74	3,68	8,08	5,03	12,2	7,14	16,15	10,20	95,25	95,25	3,75	4,51	7,93	9,84
3.1/2X3.1/2X2		60,30		3,91		5,54		8,71		11,10		95,25				
3.1/2X3.1/2X2.1/2	101,60	73,02	5,74	5,16	8,08	7,01	12,2	9,52	16,15	14,00	95,25	95,25	3,94	4,79	8,28	10,23
3.1/2X3.1/2X3		88,90		5,49		7,62		11,10		15,20		95,25				
4X4X1.1/2	114,30	48,26	6,02	3,68	8,56	5,08	13,5	7,14	17,10	10,20	104,7	104,7	4,30	5,88	14,53	15,64
4X4X2		60,30		3,91		5,54		8,71		11,10		104,7				
4X4X2.1/2	114,30	73,02	6,02	5,16	8,56	7,01	13,5	9,52	17,10	14,00	104,7	104,7	4,80	6,11	15,00	16,10
4X4X3		88,90		5,49		7,62		11,10		15,20		104,7				
4X4X3.1/2	141,30	101,6	6,55	5,74	9,52	8,03	15,9	12,20	19,00	16,15	123,8	123,8	5,11	6,40	15,34	16,47
5X5X2		60,30		3,91		5,54		8,71		11,10		123,8				
5X5X2.1/2	141,30	73,02	6,55	5,16	9,52	7,01	15,9	9,52	19,00	14,00	123,8	123,8	7,33	10,64	22,13	24,32
5X5X3		88,90		5,49		7,62		11,10		15,20		123,8				
5X5X3.1/2	141,30	101,6	6,55	5,74	9,52	8,08	15,9	12,20	19,00	16,15	123,8	123,8	7,79	11,32	22,57	24,93
5X5X4		114,3		6,02		8,56		13,50		17,10		123,8				



Notes:

- 1) All dimensions are in mm.
- 2) The weights, in kg, are theoretical and only indicative.
- 3) Materials in conformity with ASTM. Dimensional tolerances as per Asa 16.9.
- 4) Obtained from solid material (not stamped).
- 5) S and S1 at customer's discretion: must be specified in the orders.



Particolari di smusso per raccordi con spessore fino a 19,5mm compreso
Particular of beveling for fittings with thickness up to 19,5mm included

**TOLLERANZE DIMENSIONALI
ASA B16.9**
**DIMENSIONAL TOLERANCES
TO ASA B16.9**

Particolari di smusso per raccordi con spessore superiore a 19,5mm
Particular of beveling for fittings with thickness superior to 19,5mm