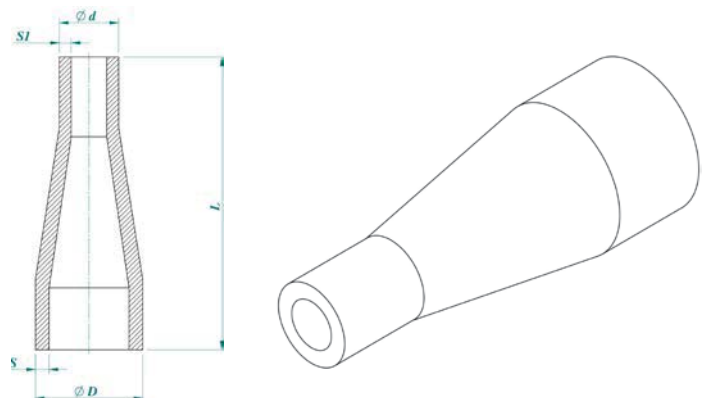
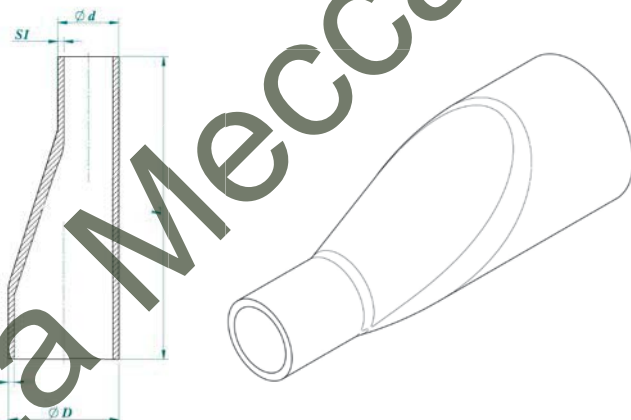
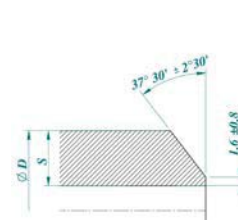


Concentric – Eccentric

Nominal pipe Inches	Outside diameter	Outside diameter	Wall thickness S								Length	Unitary weight			
			STD		XS		SCH 160		XXS			STD	XS	SCH 160	XXS
	D	d	S	S1	S	S1	S	S1	S	S1	L				
6X2	168,30	60,30	7,11	3,91	11,0	5,54	18,2	8,71	21,90	11,10	140,0	3,62	4,94	8,90	10,80
6X2.1/2		73,02		5,16		7,01		9,52		14,00		3,71	5,17	8,98	10,92
6X3		88,90		5,49		7,62		11,10		15,20		3,80	5,39	9,11	11,01
6X3.1/2		101,60		5,74		8,08		12,20		16,15		3,88	5,50	9,34	11,22
6X4		114,30		6,02		8,56		13,50		17,10		3,94	5,62	9,56	11,33
6X5	141,30	6,55	9,52	15,90	19,00	4,03	5,84	9,80	11,50						
8X3	219,20	88,90	8,19	5,49	12,7	7,62	23,0	11,10	22,20	15,20	152,0	5,39	8,83	17,10	16,20
8X4		114,30		6,02		8,56		13,50		17,10		5,62	9,06	17,42	16,73
8X5		141,30		6,55		9,52		15,90		19,00		5,84	9,38	18,24	17,32
8X6		168,30		7,11		11,0		18,20		21,90		6,34	9,78	18,90	17,90
10X3		88,90		5,49		7,62		11,10		11,10		9,42	12,55	29,80	-
10X4	114,30	6,02	8,56	13,50	13,50	9,98	13,14	30,70	-						
10X5	141,30	6,55	9,52	15,90	15,90	10,19	13,50	32,00	-						
10X6	168,30	7,11	11,0	18,20	18,20	10,42	14,04	33,40	-						
10X8	219,20	8,18	12,7	23,00	23,00	10,69	14,45	35,00	-						
12X4	323,80	114,30	9,52	6,02	12,7	8,56	33,3	13,50	-	18,20	203,0	14,27	18,21	45,50	-
12X5		141,30		6,55		9,52		15,90		14,50		18,98	46,80	-	
12X6		168,30		7,11		11,0		18,20		14,72		19,39	48,00	-	
12X8		219,20		8,18		12,7		23,00		14,95		19,80	49,90	-	
12X10		273,00		9,27		12,7		28,60		15,40		20,38	52,70	-	
14X6	355,60	168,30	9,52	7,11	12,7	11,0	35,7	18,20	-	18,20	330,0	26,05	34,89	88,00	-
14X8		219,20		8,18		12,7		23,00		26,27		35,10	89,80	-	
14X10		273,00		9,27		12,7		28,60		26,59		35,56	93,50	-	
14X12		323,80		9,52		12,7		33,30		26,82		35,83	96,60	-	
16X8		219,20		8,18		12,7		23,00		32,39		42,67	120,20	-	
16X10	406,40	273,00	9,52	9,27	12,7	12,7	40,5	28,60	-	28,60	356,0	32,84	43,26	123,40	-
16X12		323,80		9,52		12,7		33,30		33,43		43,49	127,30	-	
16X14		366,60		9,52		12,7		35,70		33,98		44,62	130,00	-	
18X10		273,00		9,27		12,7		28,60		38,50		51,64	162,00	-	
18X12		323,80		9,52		12,7		33,30		38,96		52,10	165,30	-	
18X14	457,20	355,60	9,52	9,52	12,7	12,7	45,2	35,70	-	35,70	381,0	39,41	52,55	168,60	-
18X16		406,40		9,52		12,7		40,50		39,86		53,00	171,30	-	
20X12		323,80		9,52		12,7		33,30		57,08		76,19	260,80	-	
20X14		355,60		9,52		12,7		35,70		57,98		77,19	268,70	-	
20X16		406,40		9,52		12,7		40,50		58,44		77,73	279,40	-	
20X18	457,20	9,52	12,7	45,20	58,89	78,37	290,30	-							
22X14	558,80	355,60	9,52	9,52	12,7	12,7	54,0	35,70	-	35,70	508,0	60,00	79,40	325,40	-
22X16		406,40		9,52		12,7		40,50		61,15		80,18	332,70	-	
22X18		457,20		9,52		12,7		45,20		62,97		82,45	341,60	-	
22X20		508,00		9,52		12,7		50,00		64,33		84,26	352,30	-	
24X16		406,40		9,52		12,7		40,50		64,33		84,26	387,80	-	
24X18	609,60	457,20	9,52	12,7	65,68	86,98	395,60	-							
24X20		508,00		9,52	12,7	59,5	50,00	67,05	89,69	403,40	-				
24X22		558,80		9,52	12,7	54,00	68,85	92,86	410,90	-					

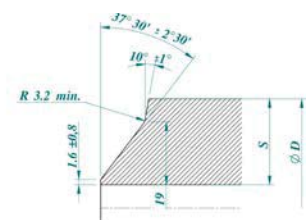


- Notes:
- 1) All dimensions are in mm.
 - 2) The weights, in kg, are theoretical and only indicative.
 - 3) Materials in conformity with ASTM. Dimensional tolerances as per Asa 16.9.
 - 4) Obtained from solid material (not stamped).



Particolari di smusso per raccordi con spessore fino a 19,5mm compreso
Particular of bevelling for fittings with thickness up to 19,5mm included

**TOLLERANZE DIMENSIONALI
ASA B16.9**
**DIMENSIONAL TOLERANCES
TO ASA B16.9**



Particolari di smusso per raccordi con spessore superiore a 19,5mm
Particular of bevelling for fittings with thickness superior to 19,5mm